

P3C1024L

ULTRA LOW POWER 128K x 8

CMOS STATIC RAM

FEATURES

- V_{CC} Current (Commercial/Industrial)
 - Operating: 10mA/12mA
 - CMOS Standby: 10 μ A/10 μ A
- Access Times
 - 55/70 (Commercial or Industrial)
- Single 3.3 Volts \pm 0.3V Power Supply
- Easy Memory Expansion Using \overline{CE}_1 , CE_2 and \overline{OE} Inputs
- Common Data I/O
- Three-State Outputs
- Fully TTL Compatible Inputs and Outputs
- Advanced CMOS Technology
- Automatic Power Down
- Packages
 - 32-Pin 445 mil SOP
 - 32-Pin TSOP

DESCRIPTION

The P3C1024L is a 1,048,576-bit low power CMOS static RAM organized as 128Kx8. The CMOS memory requires no clocks or refreshing, and has equal access and cycle times. Inputs are fully TTL-compatible. The RAM operates from a single 3.3V \pm 0.3V tolerance power supply.

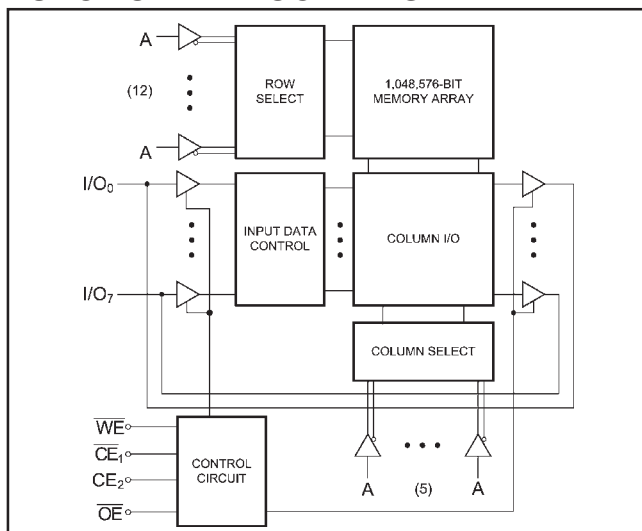
Access times of 55 ns and 70 ns are available. CMOS is utilized to reduce power consumption to a low level.

The P3C1024L device provides asynchronous operation with matching access and cycle times. Memory

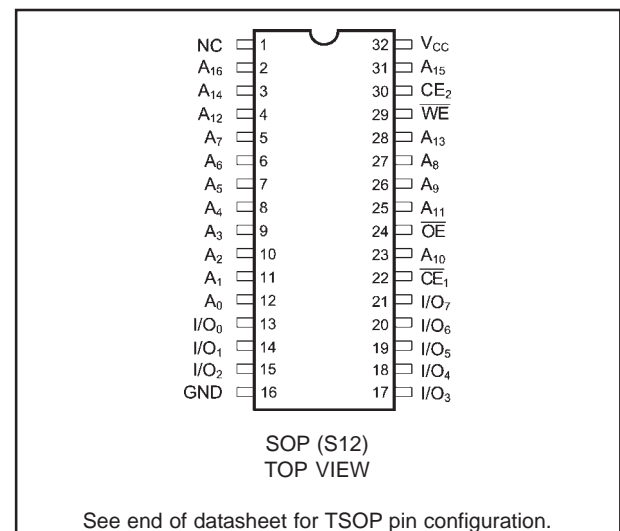
locations are specified on address pins A_0 to A_{16} . Reading is accomplished by device selection (\overline{CE}_1 low and CE_2 high) and output enabling (\overline{OE}) while write enable (\overline{WE}) remains HIGH. By presenting the address under these conditions, the data in the addressed memory location is presented on the data input/output pins. The input/output pins stay in the HIGH Z state when either \overline{CE}_1 or \overline{OE} is HIGH or \overline{WE} or CE_2 is LOW.

The P3C1024L is packaged in a 32-pin TSOP and 445 mil SOP.

FUNCTIONAL BLOCK DIAGRAM



PIN CONFIGURATION



RECOMMENDED OPERATING TEMPERATURE & SUPPLY VOLTAGE

Temperature Range (Ambient)	Supply Voltage
Commercial (0°C to 70°C)	$3.0V \leq V_{CC} \leq 3.6V$
Industrial (-40°C to 85°C)	$3.0V \leq V_{CC} \leq 3.6V$

MAXIMUM RATINGS⁽¹⁾

Stresses greater than those listed can cause permanent damage to the device. These are absolute stress ratings only. Functional operation of the device is not implied at these or any other conditions in excess of those given in the operational sections of this data sheet. Exposure to Maximum Ratings for extended periods can adversely affect device reliability.

Symbol	Parameter	Min	Max	Unit
V_{CC}	Supply Voltage with Respect to GND	-0.3	3.9	V
V_{TERM}	Terminal Voltage with Respect to GND	-0.3	$V_{CC} + 0.3$	V
T_A	Operating Ambient Temperature	-55	125	°C
S_{TG}	Storage Temperature	-65	150	°C
I_{OUT}	Output Current into Low Outputs		20	mA
I_{LAT}	Latch-up Current	>200		mA

DC ELECTRICAL CHARACTERISTICS

(Over Recommended Operating Temperature & Supply Voltage)⁽²⁾

Symbol	Parameter	Test Conditions	Min	Max	Unit
V_{OH}	Output High Voltage ($I/O_0 - I/O_7$)	$I_{OH} = -1mA, V_{CC} = 3.3V$	2.4		V
V_{OL}	Output Low Voltage ($I/O_0 - I/O_7$)	$I_{OL} = 2.1mA$		0.4	V
V_{IH}	Input High Voltage		2.2	$V_{CC} + 0.3$	V
V_{IL}	Input Low Voltage		-0.3	0.8	V
I_{LI}	Input Leakage Current	$GND \leq V_{IN} \leq V_{CC}$	Ind'l. Com'l. -2 -1	+2 +1	μA
I_{LO}	Output Leakage Current	$GND \leq V_{OUT} \leq V_{CC}$ $\overline{CE}_1 \geq V_{IH}$ or $CE_2 \leq V_{IL}$	Ind'l. Com'l. -2 -1	+2 +1	μA
I_{SB}	V_{CC} Current TTL Standby Current (TTL Input Levels)	$V_{CC} = 3.6V, I_{OUT} = 0 mA$ $\overline{CE}_1 = V_{IH}$ or $CE_2 = V_{IL}$		3	mA
I_{SB1}	V_{CC} Current CMOS Standby Current (CMOS Input Levels)	$V_{CC} = 5.5V, I_{OUT} = 0 mA$ $\overline{CE}_1 \geq V_{CC} - 0.2V, CE_2 \leq 0.2V$		10	μA

CAPACITANCES⁽⁴⁾ $(V_{CC} = 3.3V, T_A = 25^{\circ}C, f = 1.0 \text{ MHz})$

Symbol	Parameter	Test Conditions	Max	Unit
C_{IN}	Input Capacitance	$V_{IN} = 0V$	8	pF
C_{OUT}	Output Capacitance	$V_{OUT} = 0V$	9	pF

POWER DISSIPATION CHARACTERISTICS VS. SPEED

Symbol	Parameter	Temperature Range	-55	-70	Unit
I_{CC}	Dynamic Operating Current	Commercial	10	8	mA
		Industrial	12	10	mA

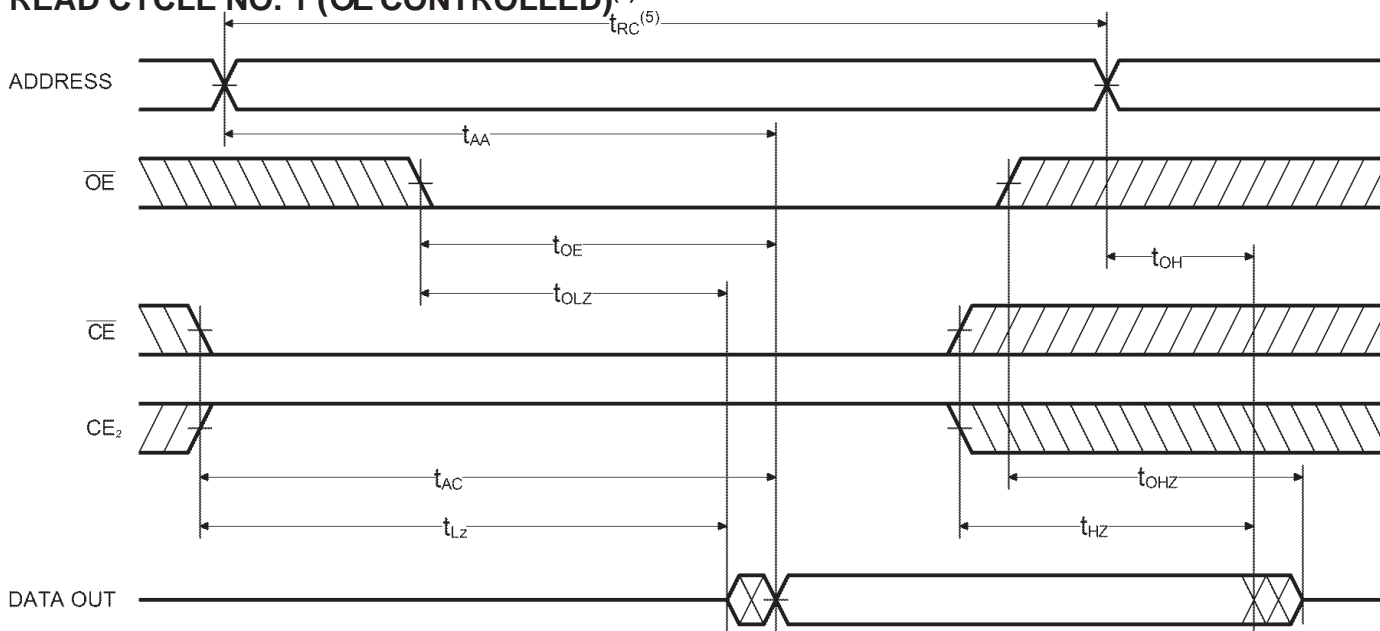
Tested with outputs open and all address and data inputs changing at the maximum write-cycle rate.

The device is continuously enabled for writing, i.e., $CE_2 \geq V_{IH}$ (min), CE_1 and $WE \leq V_{IL}$ (max), OE is high. Switching inputs are 0V and 3V.

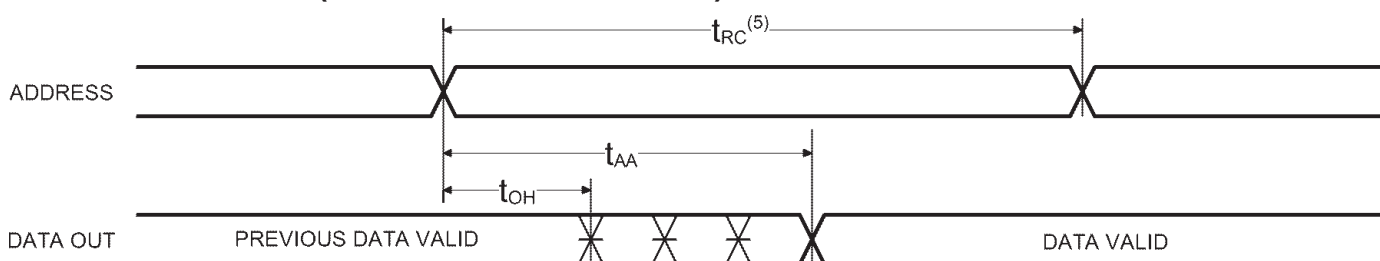
AC ELECTRICAL CHARACTERISTICS - READ CYCLE*(Over Recommended Operating Temperature & Supply Voltage)*

Symbol	Parameter	-55		-70		Unit
		Min	Max	Min	Max	
t_{RC}	Read Cycle Time	55		70		ns
t_{AA}	Address Access Time		55		70	ns
t_{AC}	Chip Enable Access Time		55		70	ns
t_{OH}	Output Hold from Address Change	10		10		ns
t_{LZ}	Chip Enable to Output in Low Z	10		10		ns
t_{HZ}	Chip Disable to Output in High Z		20		25	ns
t_{OE}	Output Enable Low to Data Valid		25		35	ns
t_{OLZ}	Output Enable Low to Low Z	5		5		ns
t_{OHZ}	Output Enable High to High Z		20		25	ns
t_{PU}	Chip Enable to Power Up Time	0		0		ns
t_{PD}	Chip Disable to Power Down Time		55		70	ns

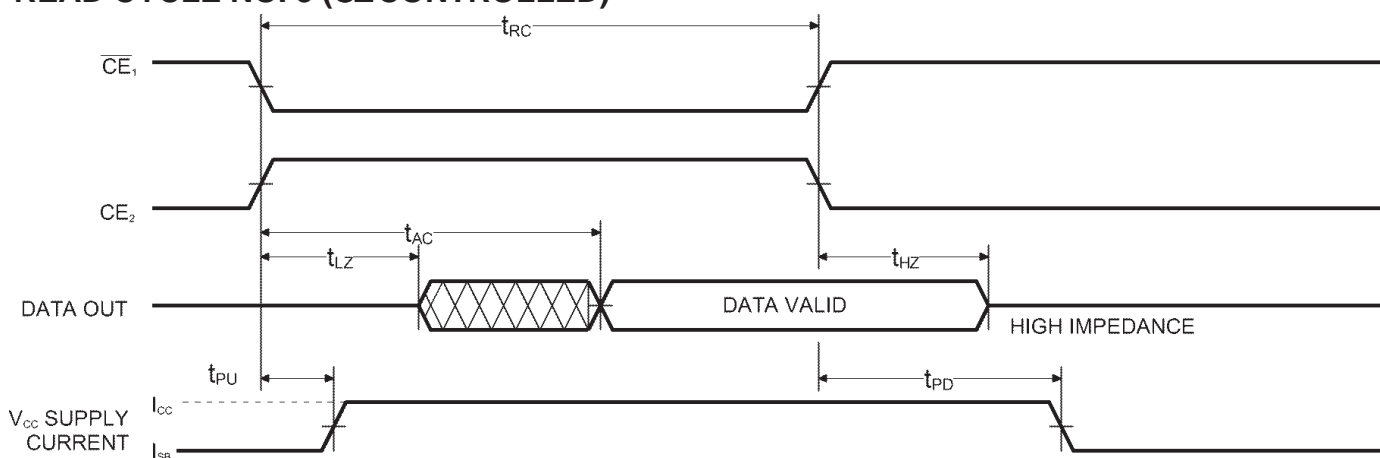
READ CYCLE NO. 1 (\overline{OE} CONTROLLED)⁽¹⁾



READ CYCLE NO. 2 (ADDRESS CONTROLLED)



READ CYCLE NO. 3 (\overline{CE} CONTROLLED)



Notes:

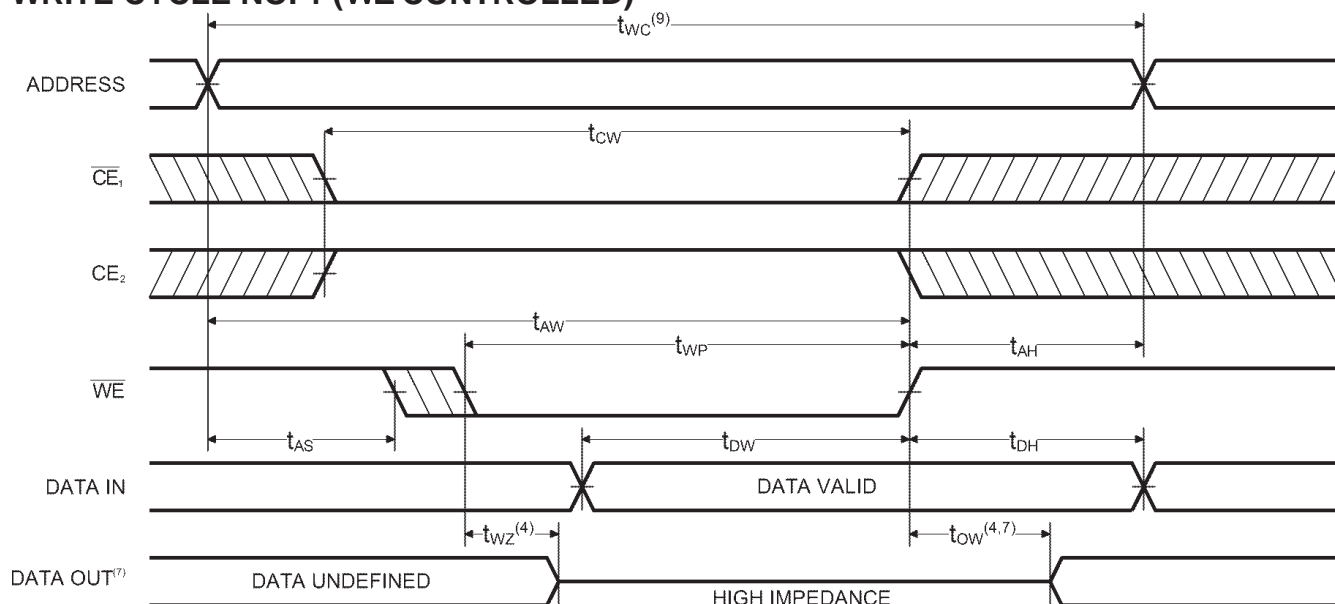
1. \overline{WE} is HIGH for READ cycle.
2. \overline{CE}_1 and \overline{OE} is LOW, and CE_2 is HIGH for READ cycle.
3. ADDRESS must be valid prior to, or coincident with later of \overline{CE}_1 transition LOW or CE_2 transition HIGH.
4. Transition is measured ± 200 mV from steady state voltage prior to change, with loading as specified in Figure 1. This parameter is sampled and not 100% tested.
5. READ Cycle Time is measured from the last valid address to the first transitioning address.

AC CHARACTERISTICS - WRITE CYCLE

(Over Recommended Operating Temperature & Supply Voltage)

Symbol	Parameter	-55		-70		Unit
		Min	Max	Min	Max	
t_{WC}	Write Cycle Time	55		70		ns
t_{CW}	Chip Enable Time to End of Write	40		60		ns
t_{AW}	Address Valid to End of Write	40		60		ns
t_{AS}	Address Set-up Time	0		0		ns
t_{WP}	Write Pulse Width	40		50		ns
t_{AH}	Address Hold Time	0		0		ns
t_{DW}	Data Valid to End of Write	25		30		ns
t_{DH}	Data Hold Time	0		0		ns
t_{WZ}	Write Enable to Output in High Z		20		25	ns
t_{OW}	Output Active from End of Write	10		10		ns

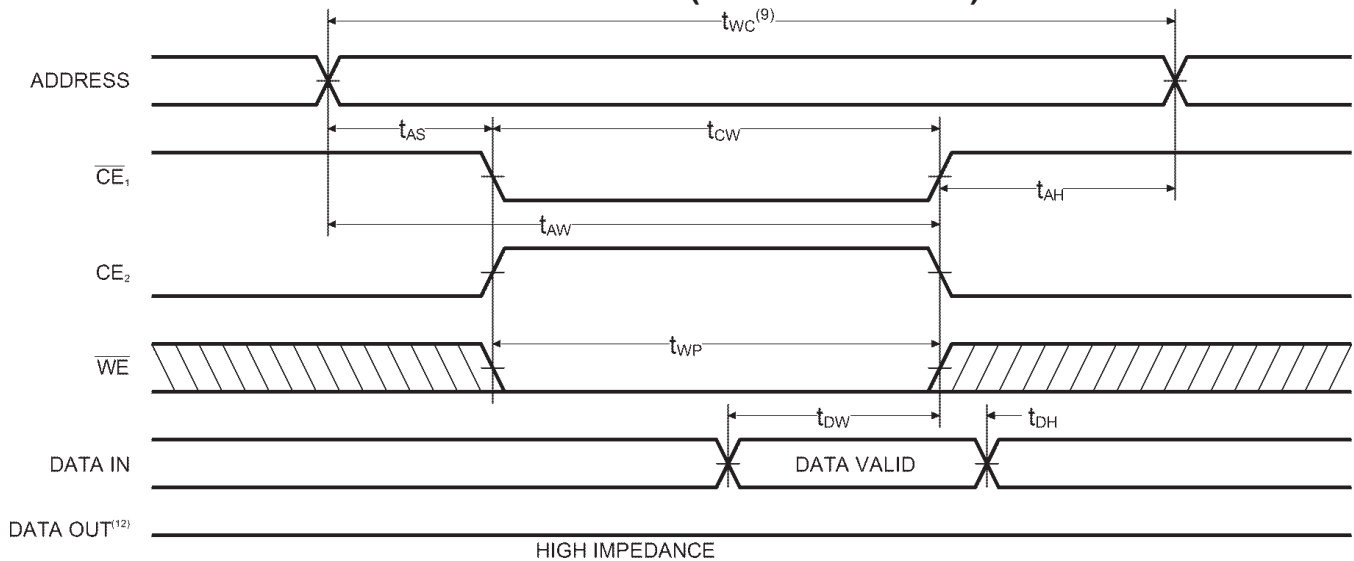
WRITE CYCLE NO. 1 (\overline{WE} CONTROLLED)⁽⁶⁾



Notes:

6. \overline{CE}_1 and \overline{WE} are LOW and CE_2 is HIGH for WRITE cycle.
7. \overline{OE} is LOW for this WRITE cycle to show t_{WZ} and t_{OW} .
8. If \overline{CE}_1 goes HIGH or CE_2 goes LOW simultaneously with \overline{WE} HIGH, the output remains in a high impedance state.
9. Write Cycle Time is measured from the last valid address to the first transitioning address.

TIMING WAVEFORM OF WRITE CYCLE NO.2 (\overline{CE} CONTROLLED)⁽⁶⁾



AC TEST CONDITIONS

Input Pulse Levels	GND to 3.0V
Input Rise and Fall Times	3ns
Input Timing Reference Level	1.5V
Output Timing Reference Level	1.5V
Output Load	See Fig. 1 and 2

TRUTH TABLE

Mode	\overline{CE}_1	CE_2	\overline{OE}	\overline{WE}	I/O	Power
Standby	H	X	X	X	High Z	Standby
Standby	X	L	X	X	High Z	Standby
Output Disabled	L	H	H	H	High Z	Active
Read	L	H	L	H	D_{OUT}	Active
Write	L	H	X	L	D_{IN}	Active

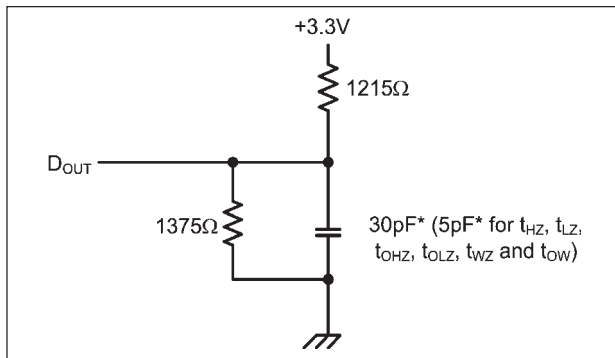


Figure 1. Output Load

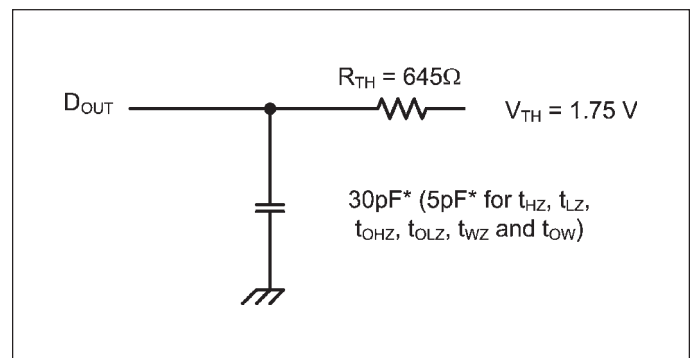


Figure 2. Thevenin Equivalent

* including scope and test fixture.

Note:

Because of the high speed of the P3C1024L, care must be taken when testing this device; an inadequate setup can cause a normal functioning part to be rejected as faulty. Long high-inductance leads that cause supply bounce must be avoided by bringing the V_{CC} and ground planes directly up to the contactor fingers. A 0.01 μ F high frequency capacitor is also required between V_{CC} and ground.

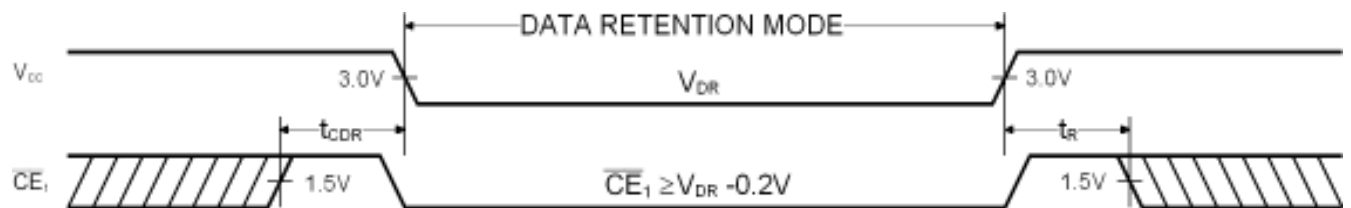
To avoid signal reflections, proper termination must be used; for example, a 50 Ω test environment should be terminated into a 50 Ω load with 1.75V (Thevenin Voltage) at the comparator input, and a 595 Ω resistor must be used in series with D_{OUT} to match 645 Ω (Thevenin Resistance).

DATA RETENTION

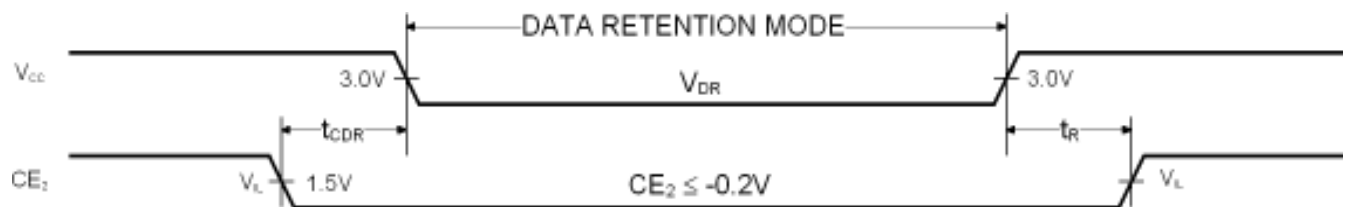
Symbol	Parameter	Test Conditions	Min	Max	Unit
V_{DR}	V_{CC} for Data Retention	$\overline{CE}_1 \geq V_{CC} - 0.2V$, $CE_2 \leq 0.2V$, $V_{IN} \geq V_{CC} - 0.2V$ or $V_{IN} \leq 0.2V$	2.0		V
$I_{CCDR}^{(1)}$	Data Retention Current	$V_{DR} = 2.0V$		10	μA
t_{CDR}	Chip Deselect to Data Retention Time	See Retention Waveform	0		ns
t_R	Operating Recovery Time ⁽²⁾		100		μs

- $\overline{CE}_1 \geq V_{DR} - 0.2V$, $CE_2 \geq V_{DR} - 0.2V$ or $CE_2 \leq 0.2V$; or $\overline{CE}_1 \leq 0.2V$, $CE_2 - 0.2V$; $V_{IN} \geq V_{DR} - 0.2V$ or $V_{IN} \leq 0.2V$
- V_{CC} ramp from V_{DR} to $V_{CC}(\min) > 100 \mu s$ for full device operation.

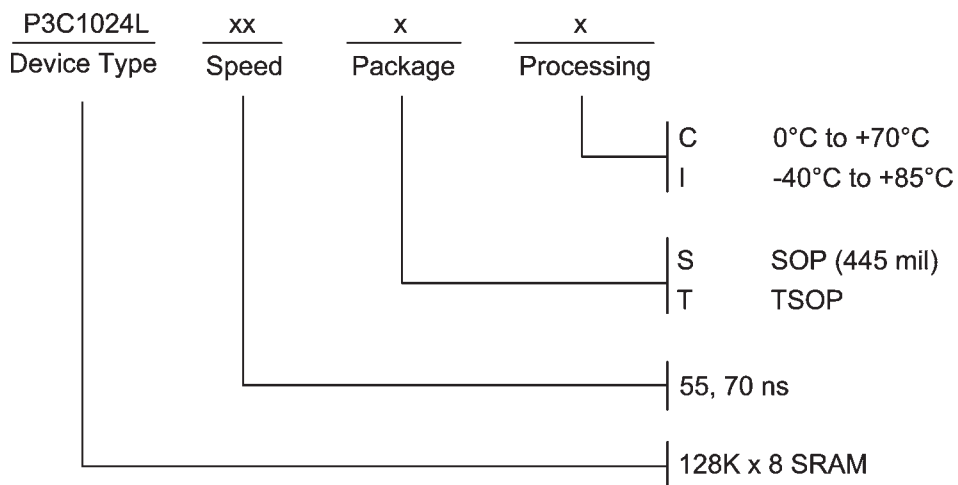
LOW V_{CC} DATA RETENTION WAVEFORM 1 (\overline{CE}_1 CONTROLLED)



LOW V_{CC} DATA RETENTION WAVEFORM 2 (CE_2 CONTROLLED)



ORDERING INFORMATION

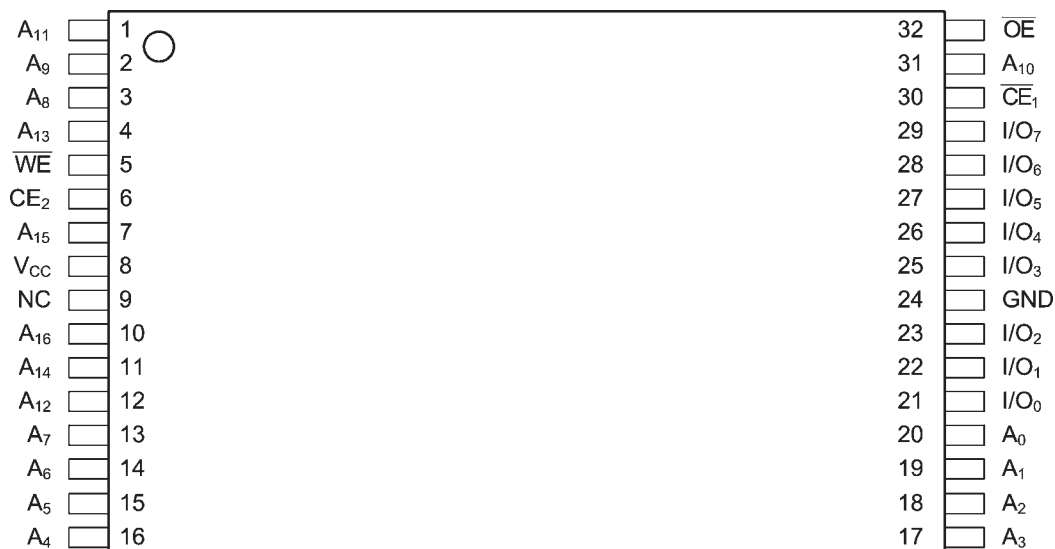


SELECTION GUIDE

The P3C1024L is available in the following temperature, speed and package options.

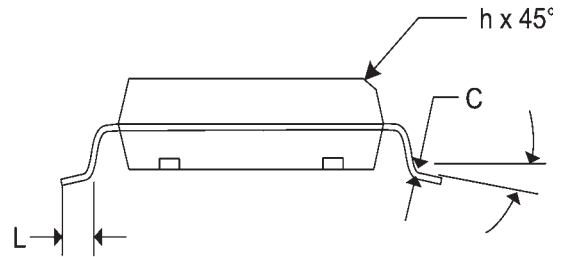
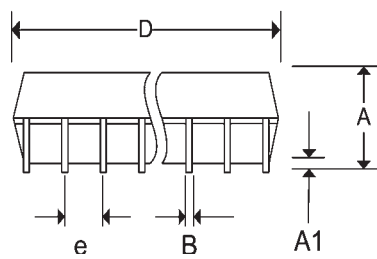
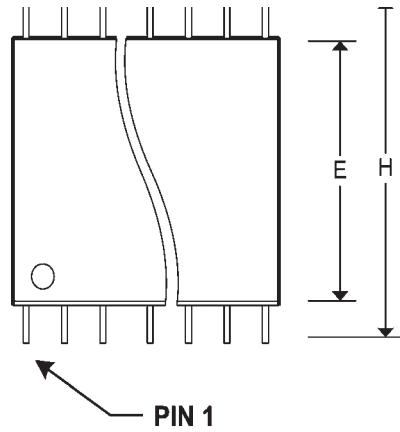
Temperature Range	Package	Speed	
		-55	-70
Commercial	Plastic SOP (445 mil)	-55SC	-70SC
	TSOP	-55TC	-70TC
Industrial	Plastic SOP (445 mil)	-55SI	-70SI
	TSOP	-55TI	-70TI

TSOP PIN CONFIGURATION



Pkg #	S12	
# Pins	32 (445 Mil)	
Symbol	Min	Max
A	-	0.118
A1	0.004	-
b2	0.014	0.020
C	0.006	0.012
D	0.790	0.820
e	0.050 BSC	
E	0.435	0.455
H	0.546	0.566
h	0.010	0.029
L	0.023	0.039
α	0°	8°

SOIC/SOP SMALL OUTLINE IC PACKAGE



Pkg #	T3	
# Pins	32	
Symbol	Min	Max
A	-	0.048
A ₂	0.037	0.042
b	0.006	0.011
D	0.720	0.729
E	0.307	0.323
e	0.50 mm BSC	
H _D	0.779	0.796

TSOP THIN SMALL OUTLINE PACKAGE (8 x 20 mm)

All dimensions in inches except as noted

